

# SL-XX ALUMINUM OUTSWING ENTRANCE DOOR FBC PRODUCT APPROVAL DRAWINGS

## ANCHORAGE SCHEDULE

SUBSTRATE	ANCHOR	INSTALLATION CONDITION	EMBEDMENT	EDGE DISTANCE
S-P-F (AS-TESTED)	3/8" X 4" LAG BOLT	HEAD	MINIMUM 3"	MINIMUM 2"
	3/16" X 2" WOOD SCREW	JAMBS	MINIMUM 1-1/2"	MINIMUM 2"
S-P-F	#12 X 2" WOOD SCREW	HEAD/JAMBS	MINIMUM 1-1/2"	MINIMUM 2"
CONCRETE	1/4" POWERS TAPPER+	HEAD/JAMBS	MINIMUM 1-3/4"	MINIMUM 2"
	1/4" ITW TAPCON	HEAD/JAMBS	MINIMUM 1-1/2"	MINIMUM 1-1/2"
CMU	1/4" POWERS TAPPER+	HEAD/JAMBS	MINIMUM 1-1/2"	MINIMUM 3"
	1/4" ITW TAPCON	HEAD/JAMBS	MINIMUM 1"	MINIMUM 2"
STEEL STUDS	#12-14 TEKS	HEAD/JAMBS	FULL PENETRATION	MINIMUM 2"

DESIGN PRESSURE RATING	IMPACT RATING
+/- 65 PSF	LARGE MISSILE

OVERALL SIZE:  
42" X 92" (SINGLE DOOR)  
80" X 92" (DOUBLE DOOR)

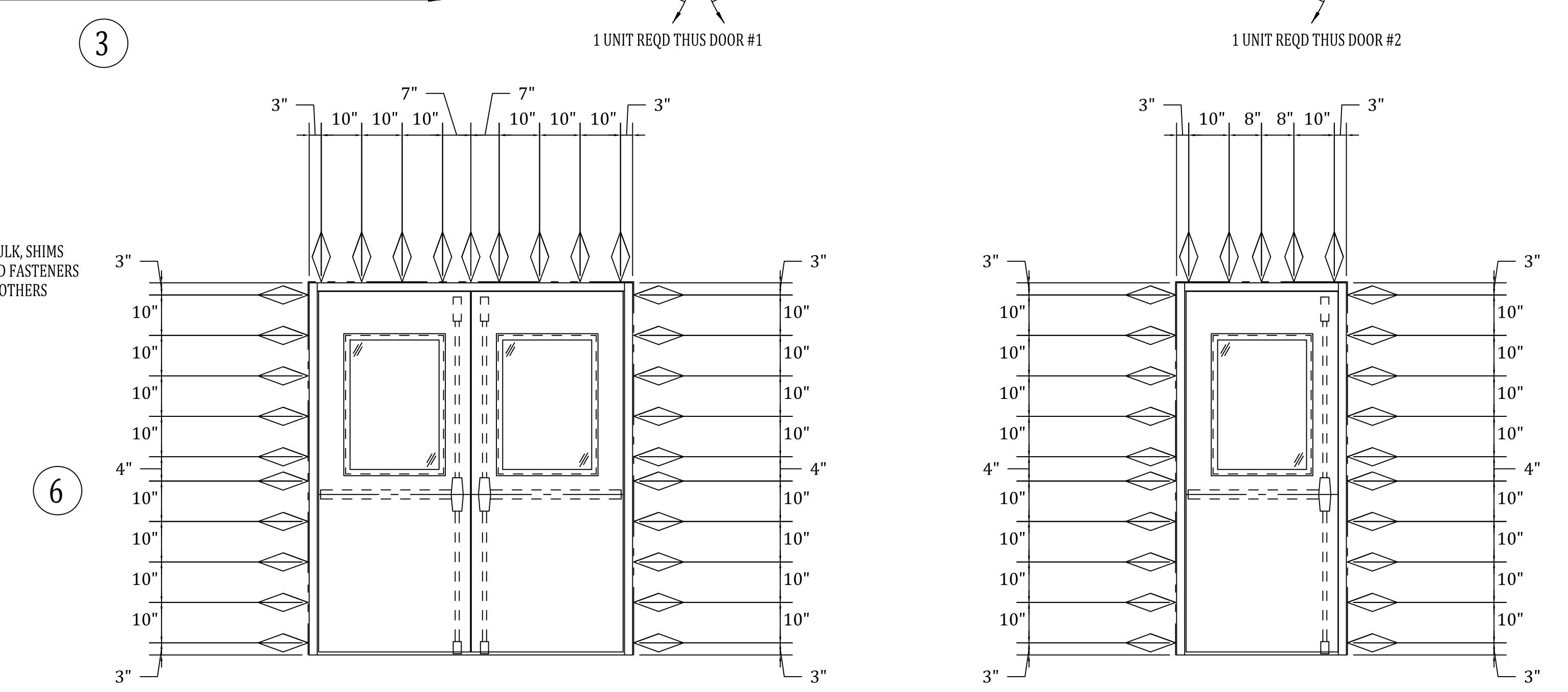
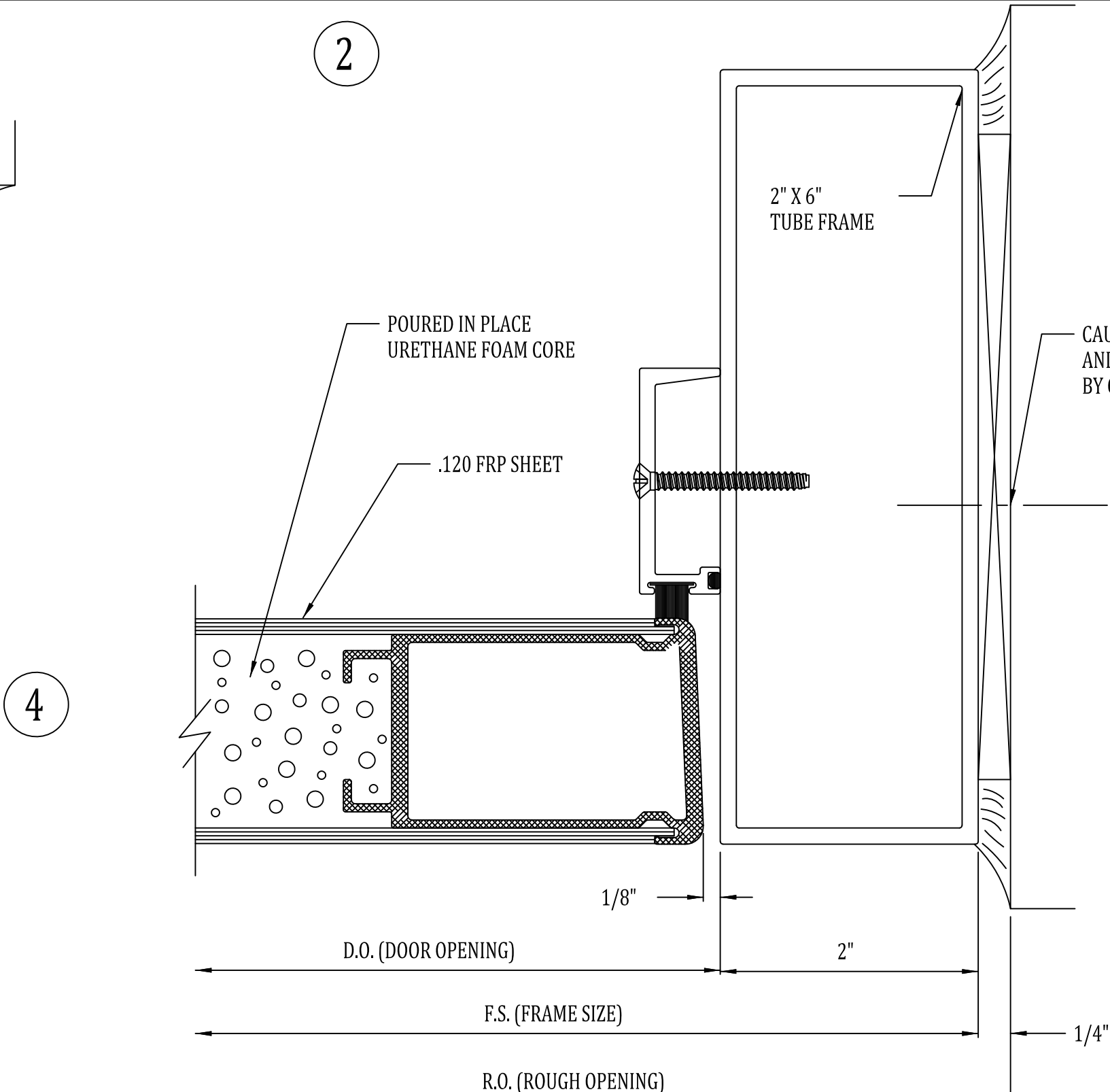
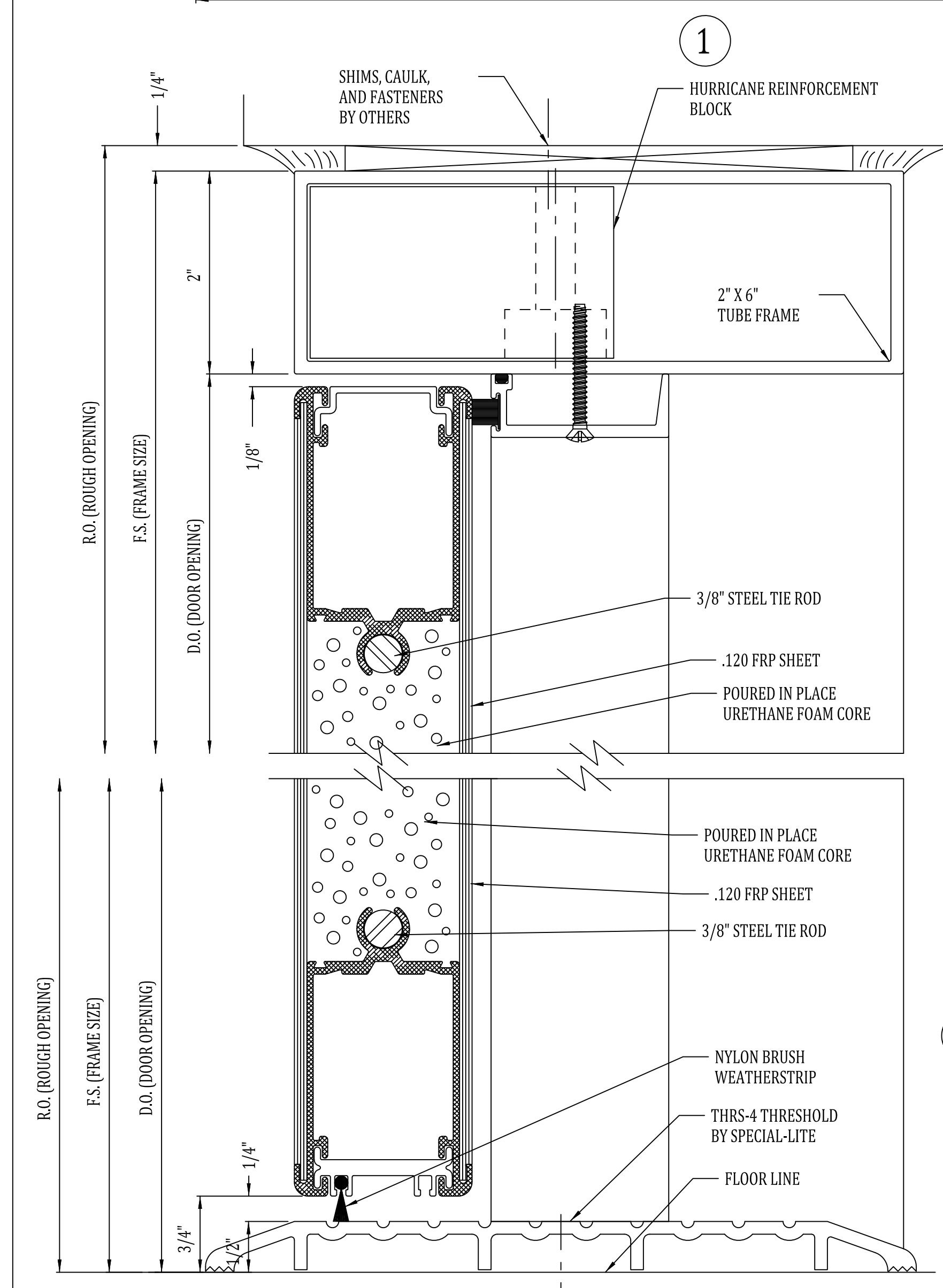
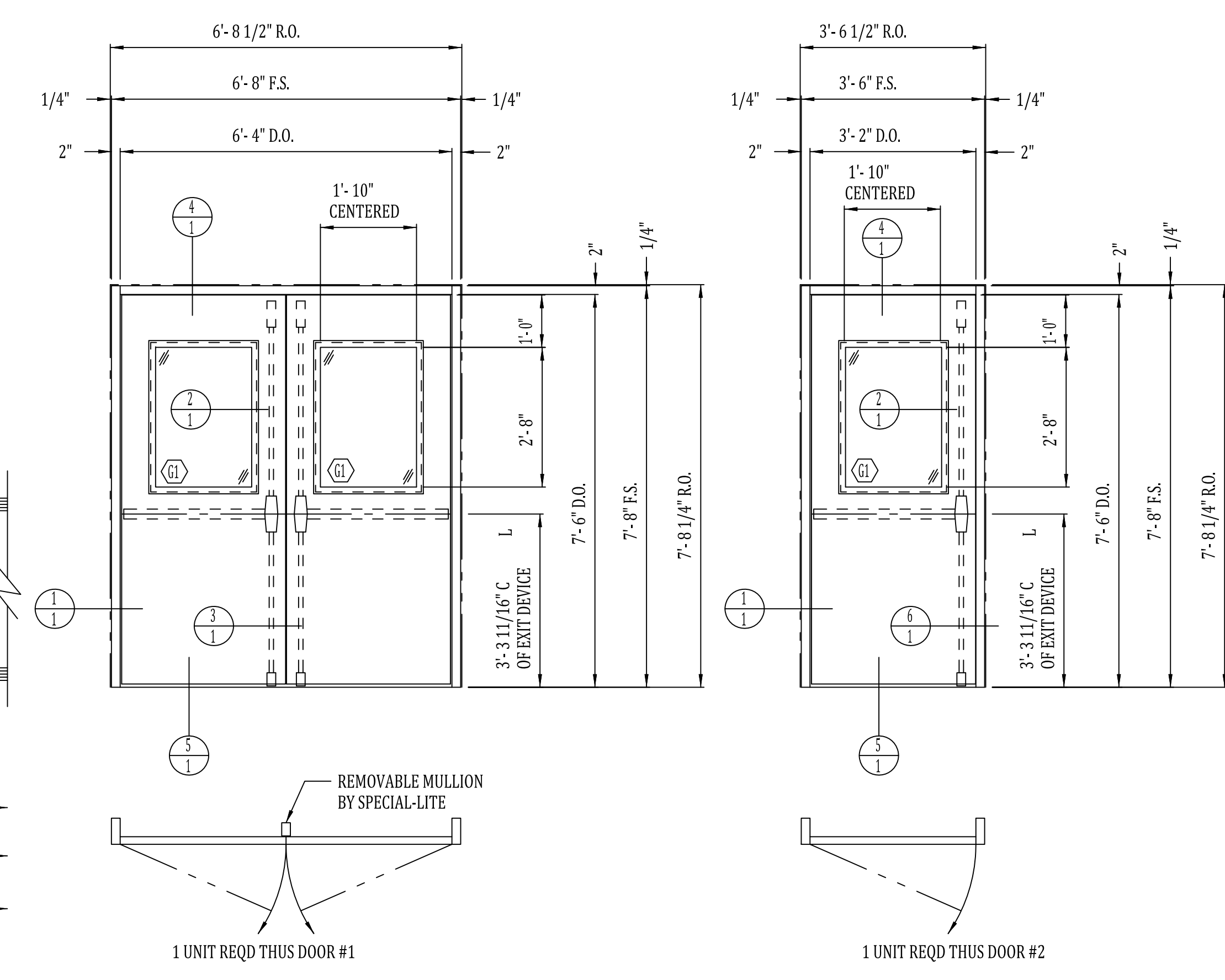
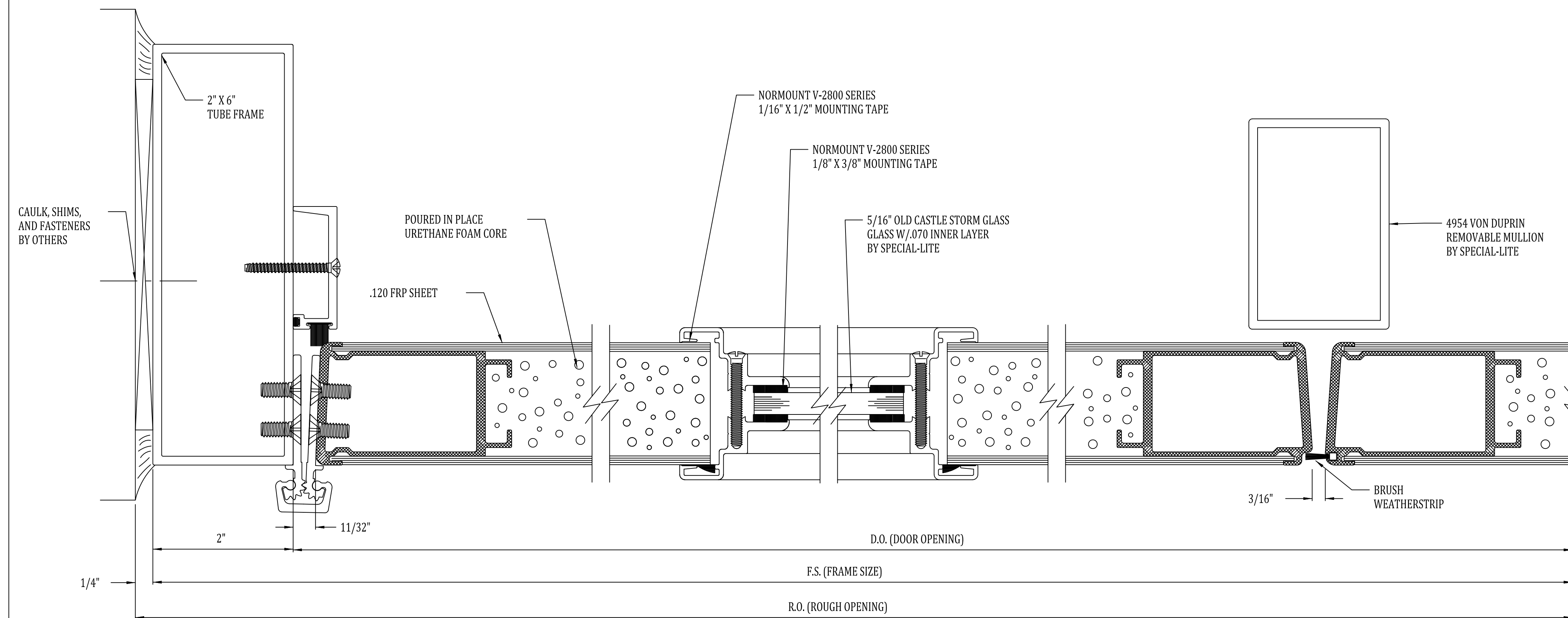
MAX D.L.O.:  
22" X 32"

## NOTES:

- THE PRODUCT ILLUSTRATED SATISFIES THE REQUIREMENTS FOR THE 2017 FLORIDA BUILDING CODE.
- THE INSTALLATION DRAWINGS DEPICTED WITHIN ARE NECESSARY TO MEET THE STRUCTURAL LOAD REQUIREMENTS. PLEASE SEE THE MANUFACTURER'S INSTALLATION INSTRUCTIONS FOR SEALING, FLASHING AND DRAINAGE REQUIREMENTS.
- THIS PRODUCT IS IMPACT RESISTANT AND THEREFORE AN APPROVED IMPACT PROTECTION SYSTEM IS NOT REQUIRED FOR THIS PRODUCT IF IT IS INSTALLED IN A WIND BORNE DEBRIS AREA. APPROVED FOR USE IN HIGH VELOCITY HURRICANE ZONE (HVHZ)
- THIS PRODUCT IS NOT APPROVED FOR USE WHERE WATER INFILTRATION RESISTANCE IS REQUIRED BY THE DOOR, UNLESS UNITS ARE INSTALLED IN A NON-HABITABLE AREA WHERE THE UNIT AND THE AREA ARE DESIGNED TO ACCEPT WATER INFILTRATION. UNITS SHALL BE INSTALLED ONLY AT LOCATIONS PROTECTED BY A CANOPY OR OVERHANG SUCH THAT THE ANGLE BETWEEN THE EDGE OF THE CANOPY OR OVERHANG TO THE SILL IS LESS THAN 45 DEGREES.
- MAXIMUM ALLOWABLE SHIM SPACE TO BE 1/4". SHIM ALL SPACES IN EXCESS OF 1/16".
- WOOD FRAMING INSTALLATIONS ARE ASSUMED TO BE 2X S-P-F (G=0.42) OR DENSER. WOOD FRAMING SHALL BE GREATER THAN THE WINDOW FRAME WIDTH. SEE ANCHORAGE SCHEDULE FOR ANCHOR REQUIREMENTS. ANCHORS SHALL BE LOCATED AS DESCRIBED IN THE ELEVATION DETAIL.
- CONCRETE INSTALLATIONS ASSUME A MINIMUM COMPRESSIVE STRENGTH FOR CONCRETE OF 3,000 PSI. SEE ANCHORAGE SCHEDULE FOR ANCHOR REQUIREMENTS. ANCHORS SHALL BE LOCATED AS DESCRIBED IN THE ELEVATION DETAIL.
- CONCRETE MASONRY UNITS (CMU) INSTALLATIONS ASSUME A MINIMUM COMPRESSIVE STRENGTH FOR THE CMU OF 1,500 PSI. SEE ANCHORAGE SCHEDULE FOR ANCHOR REQUIREMENTS. ANCHORS SHALL BE LOCATED AS DESCRIBED IN THE ELEVATION DETAIL.
- STEEL STUD FRAMING INSTALLATIONS ASSUME A MINIMUM OF 18 GAUGE 33 KSI STRENGTH METAL. SEE ANCHORAGE SCHEDULE FOR ANCHOR REQUIREMENTS. ANCHORS SHALL BE LOCATED AS DESCRIBED IN THE ELEVATION DETAIL.
- CORROSIVE RESISTANT FASTENERS SHALL BE USED.
- UNITS SHALL BE INSTALLED AS DESCRIBED IN THESE INSTALLATIONS INSTRUCTIONS AND ALSO IN CONFORMANCE TO THE MANUFACTURER'S PUBLISHED INSTALLATION INSTRUCTIONS.
- THE GLAZING FOR THESE UNITS SHALL COMPLY WITH ASTM E1300. IMPACT RESISTANT GLAZING MUST BE 5/16" OLDCASTLE STORMGLASS COMPRISED OF TWO SHEETS OF 1/8" THICK ANNEALED GLASS WITH A 0.075" THICK SAFEFLEX INTERLAYER (NOA 14.0423.11).

Gary Hartman, PE  
FL PE License 73227  
Architectural Testing, Inc.  
130 Derry Ct.  
York, PA 17406  
FL COA 29274  
717-764-7700  
Project D9812.01-122-34

		SPECIAL-LITE, INC. 860 SOUTH WILLIAMS STREET P.O. BOX 6 DECATUR, MI 49045 WWW.SPECIAL-LITE.COM	
		DRAWN BY: J. TRIPP	
REVISION		CUSTOMER: SPECIAL-LITE, INC.	
A	10-02-08	D	JOB NAME: HURRICANE TEST DOORS
B	07-22-14	E	ENGINEER: ARCHITECTURAL TESTING, INC
C		F	DATE: JUNE 27, 2007
		SHEET NO.	1 OF 5
		FILE NO.	P-67936



**HARDWARE BY SPECIAL-LITE SL-XX DOORS**

FRAME: 2\"/>

QTY	PART #	DESCRIPTION
3	SL-11HD 95\"/>	

FOR WATER RESISTANT OPENING USE THE FOLLOWING HARDWARE

2 SET	315CR (6) 96\"/>													
3	345AV 48\"/> <tr> <td>1</td> <td>305CN (1) 96\"/&gt;  <tr> <td>3</td> <td>347A</td> <td>PEMCO DOOR TOP WEATHERSTRIP</td> <tr> <td>2</td> <td>68AR</td> <td>PEMCO DOOR TOP WEATHERSTRIP</td> <tr> <td>2</td> <td>488 42\"/&gt;  <tr> <td>2</td> <td>568</td> <td>ZERO THRESHOLD</td> </tr></td></tr></tr></tr></td></tr>	1	305CN (1) 96\"/> <tr> <td>3</td> <td>347A</td> <td>PEMCO DOOR TOP WEATHERSTRIP</td> <tr> <td>2</td> <td>68AR</td> <td>PEMCO DOOR TOP WEATHERSTRIP</td> <tr> <td>2</td> <td>488 42\"/&gt;  <tr> <td>2</td> <td>568</td> <td>ZERO THRESHOLD</td> </tr></td></tr></tr></tr>	3	347A	PEMCO DOOR TOP WEATHERSTRIP	2	68AR	PEMCO DOOR TOP WEATHERSTRIP	2	488 42\"/> <tr> <td>2</td> <td>568</td> <td>ZERO THRESHOLD</td> </tr>	2	568	ZERO THRESHOLD
1	305CN (1) 96\"/> <tr> <td>3</td> <td>347A</td> <td>PEMCO DOOR TOP WEATHERSTRIP</td> <tr> <td>2</td> <td>68AR</td> <td>PEMCO DOOR TOP WEATHERSTRIP</td> <tr> <td>2</td> <td>488 42\"/&gt;  <tr> <td>2</td> <td>568</td> <td>ZERO THRESHOLD</td> </tr></td></tr></tr></tr>	3	347A	PEMCO DOOR TOP WEATHERSTRIP	2	68AR	PEMCO DOOR TOP WEATHERSTRIP	2	488 42\"/> <tr> <td>2</td> <td>568</td> <td>ZERO THRESHOLD</td> </tr>	2	568	ZERO THRESHOLD		
3	347A	PEMCO DOOR TOP WEATHERSTRIP	2	68AR	PEMCO DOOR TOP WEATHERSTRIP	2	488 42\"/> <tr> <td>2</td> <td>568</td> <td>ZERO THRESHOLD</td> </tr>	2	568	ZERO THRESHOLD				
2	68AR	PEMCO DOOR TOP WEATHERSTRIP	2	488 42\"/> <tr> <td>2</td> <td>568</td> <td>ZERO THRESHOLD</td> </tr>	2	568	ZERO THRESHOLD							
2	488 42\"/> <tr> <td>2</td> <td>568</td> <td>ZERO THRESHOLD</td> </tr>	2	568	ZERO THRESHOLD										
2	568	ZERO THRESHOLD												

G1	5/16\"/>								
G2	1/4\"/> <tr> <td>G3</td> <td>1\"/&gt;  <tr> <td>G4</td> <td>1\"/&gt;  <tr> <td>P1</td> <td>1\"/&gt;  <tr> <td>P2</td> <td>1\"/&gt;  </td></tr> </td></tr></td></tr></td></tr>	G3	1\"/> <tr> <td>G4</td> <td>1\"/&gt;  <tr> <td>P1</td> <td>1\"/&gt;  <tr> <td>P2</td> <td>1\"/&gt;  </td></tr> </td></tr></td></tr>	G4	1\"/> <tr> <td>P1</td> <td>1\"/&gt;  <tr> <td>P2</td> <td>1\"/&gt;  </td></tr> </td></tr>	P1	1\"/> <tr> <td>P2</td> <td>1\"/&gt;  </td></tr>	P2	1\"/>
G3	1\"/> <tr> <td>G4</td> <td>1\"/&gt;  <tr> <td>P1</td> <td>1\"/&gt;  <tr> <td>P2</td> <td>1\"/&gt;  </td></tr> </td></tr></td></tr>	G4	1\"/> <tr> <td>P1</td> <td>1\"/&gt;  <tr> <td>P2</td> <td>1\"/&gt;  </td></tr> </td></tr>	P1	1\"/> <tr> <td>P2</td> <td>1\"/&gt;  </td></tr>	P2	1\"/>		
G4	1\"/> <tr> <td>P1</td> <td>1\"/&gt;  <tr> <td>P2</td> <td>1\"/&gt;  </td></tr> </td></tr>	P1	1\"/> <tr> <td>P2</td> <td>1\"/&gt;  </td></tr>	P2	1\"/>				
P1	1\"/> <tr> <td>P2</td> <td>1\"/&gt;  </td></tr>	P2	1\"/>						
P2	1\"/>								

Notes: 1. All glazing shall comply with ASTM E1300.  
2. Only G1 approved for impact resistance.

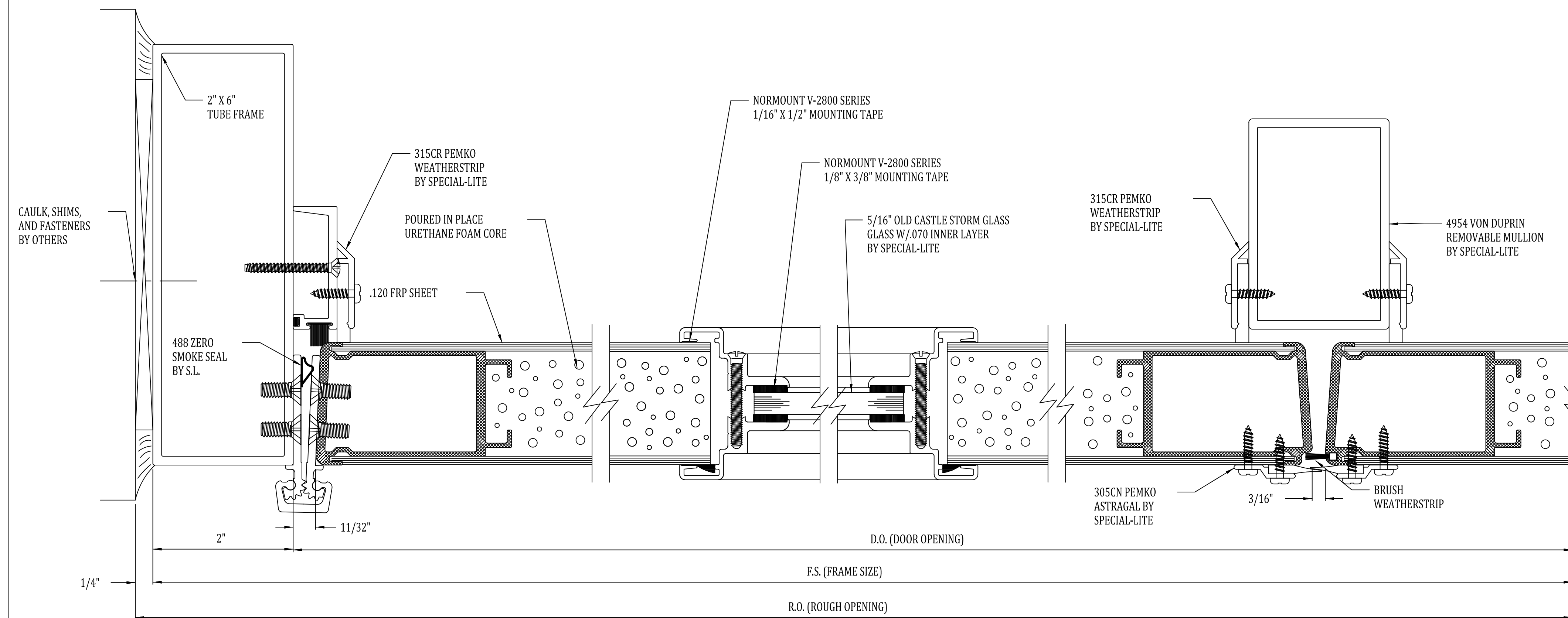
Gary Hartman, PE  
FL PE License 73227  
Architectural Testing, Inc.  
130 Derry Ct.  
York, PA 17406  
FL COA 29274  
717-764-7700  
Project D9812.01-122-34



**Special-Lite**  
*Doors with more life.*

SPECIAL-LITE, INC.  
860 SOUTH WILLIAMS STREET  
P.O. BOX 6  
DECATUR, MI 49045  
WWW.SPECIAL-LITE.COM

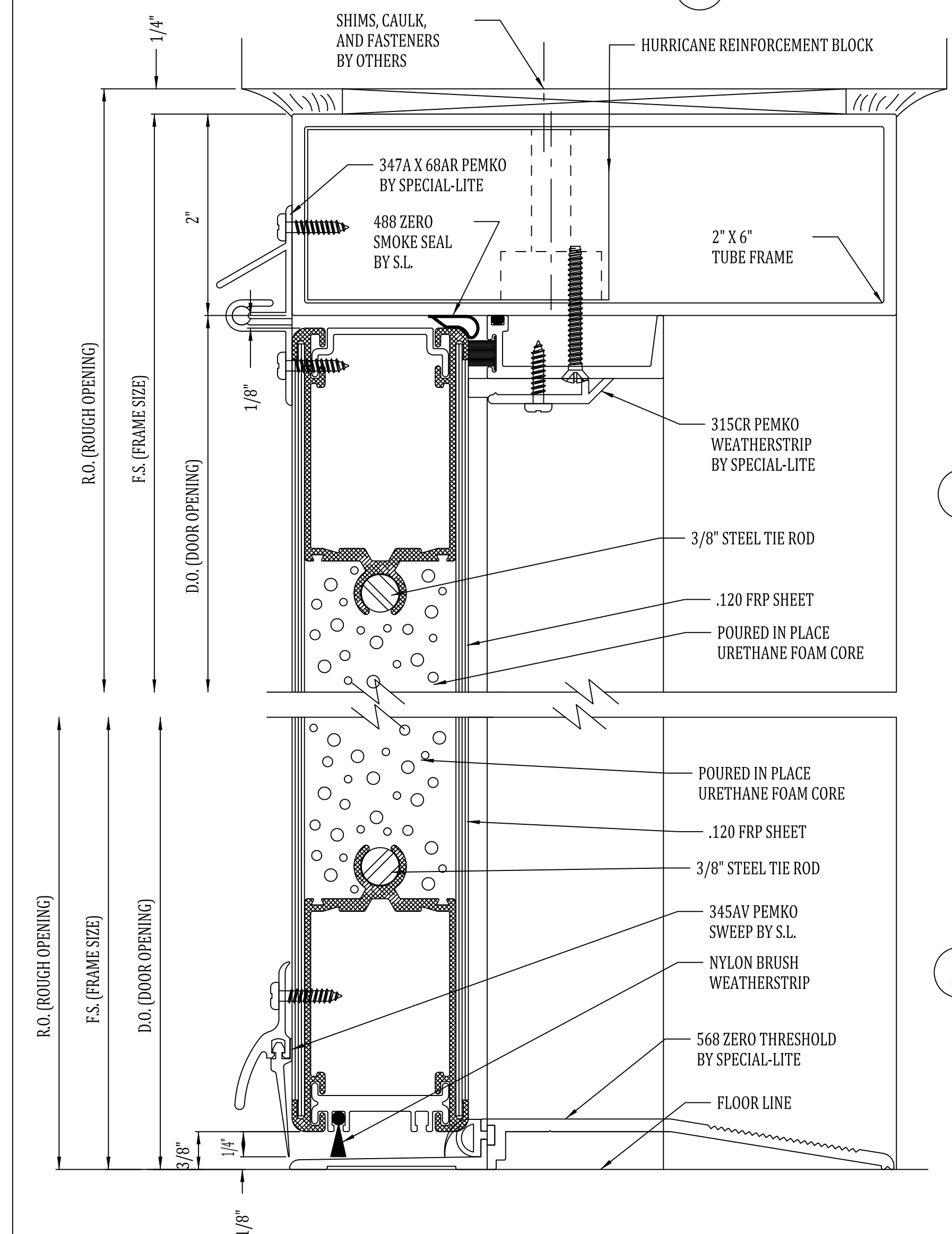
DRAWN BY: J. TRIPP		CUSTOMER: SPECIAL-LITE, INC.	
REVISION		JOB NAME: HURRICANE TEST DOORS	
A	10-02-08	D	
B	07-22-14	E	
C		F	
ENGINEER: ARCHITECTURAL TESTING, INC		DATE: JUNE 27, 2007	SHEET NO. 2 OF 5
		FILE NO. P-67936	



1

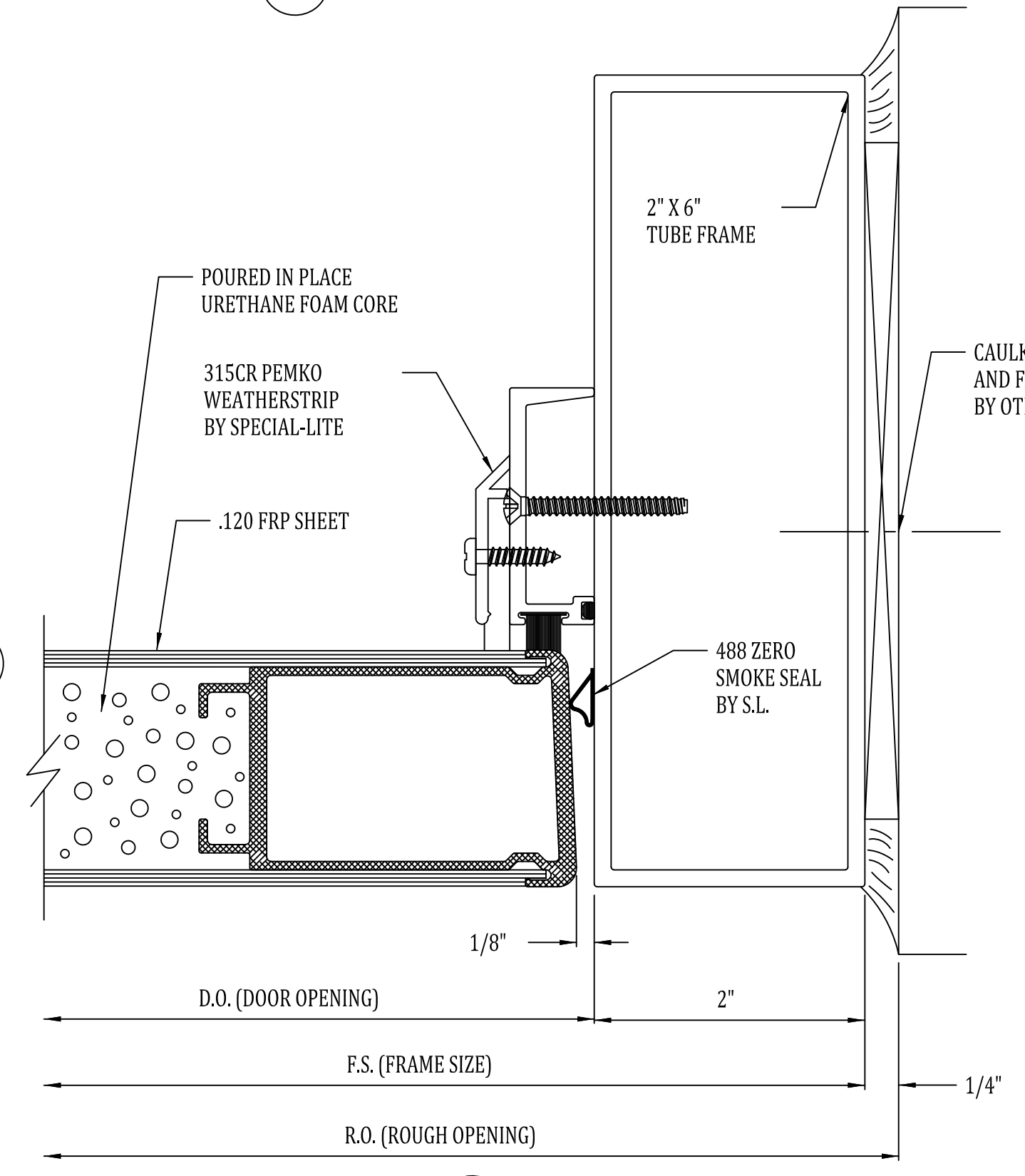
2

3



4

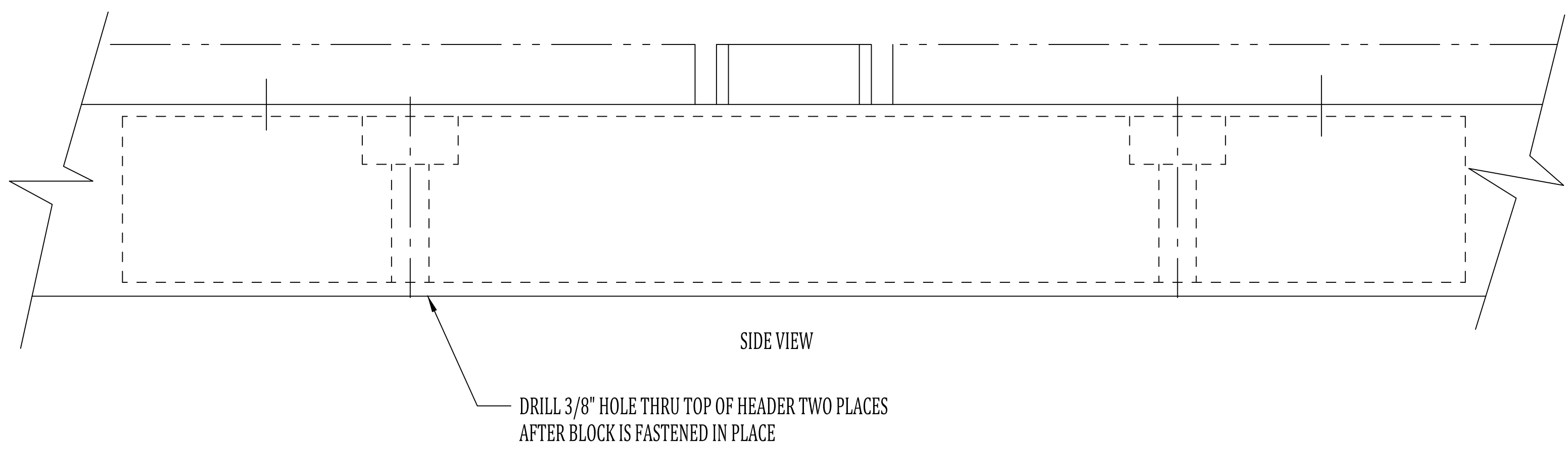
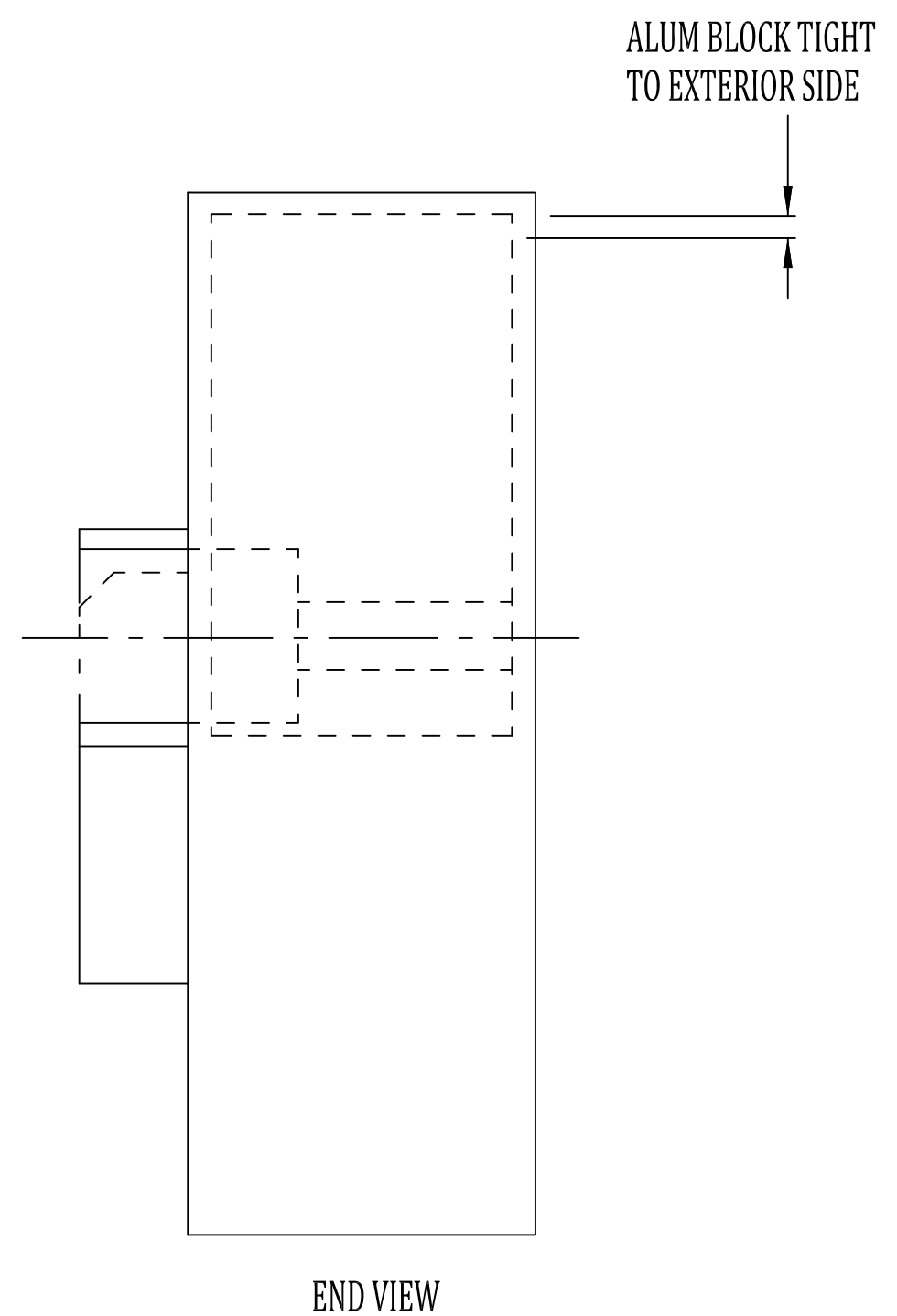
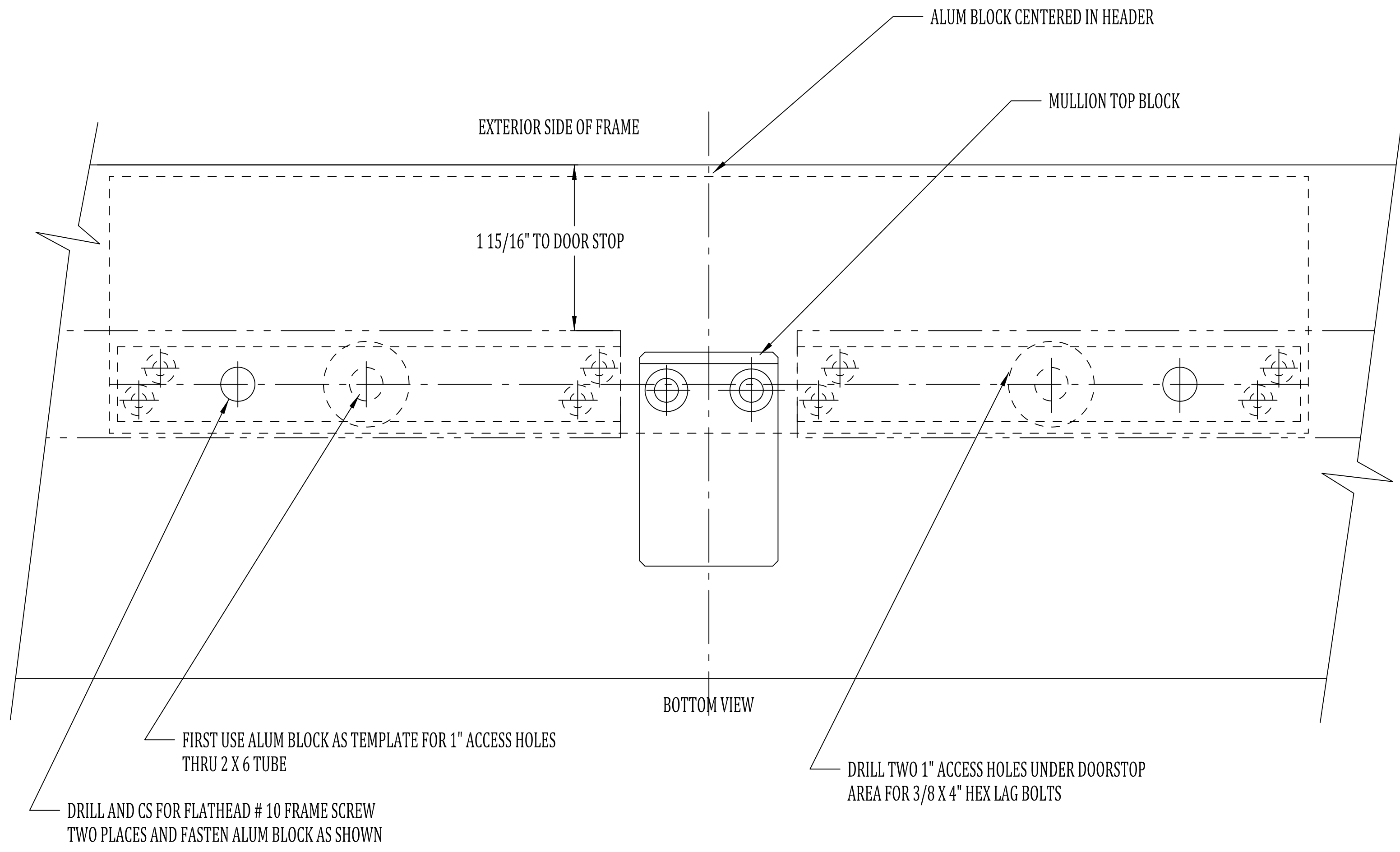
5



6

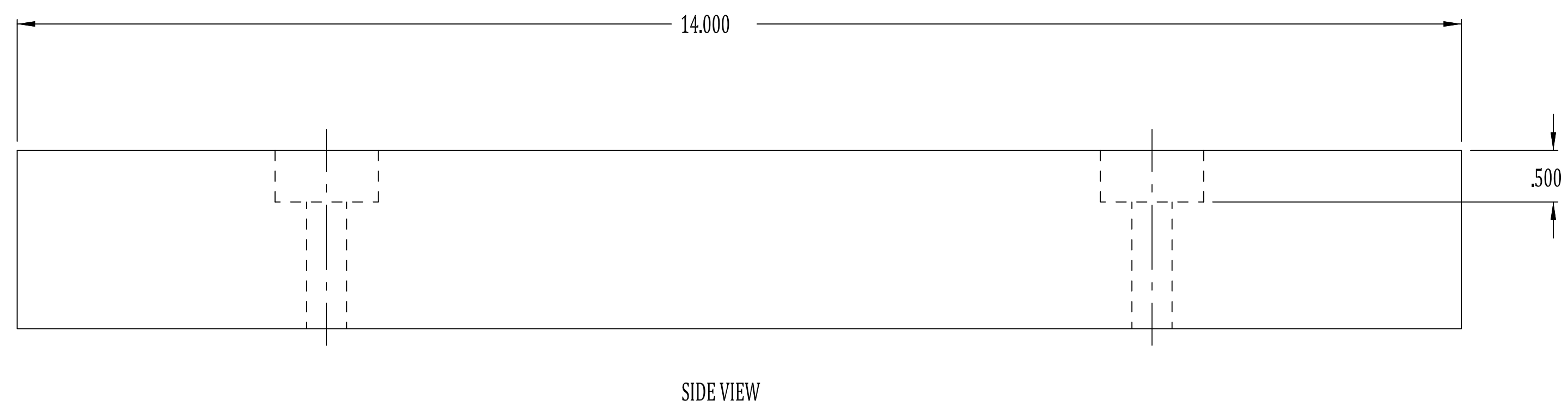
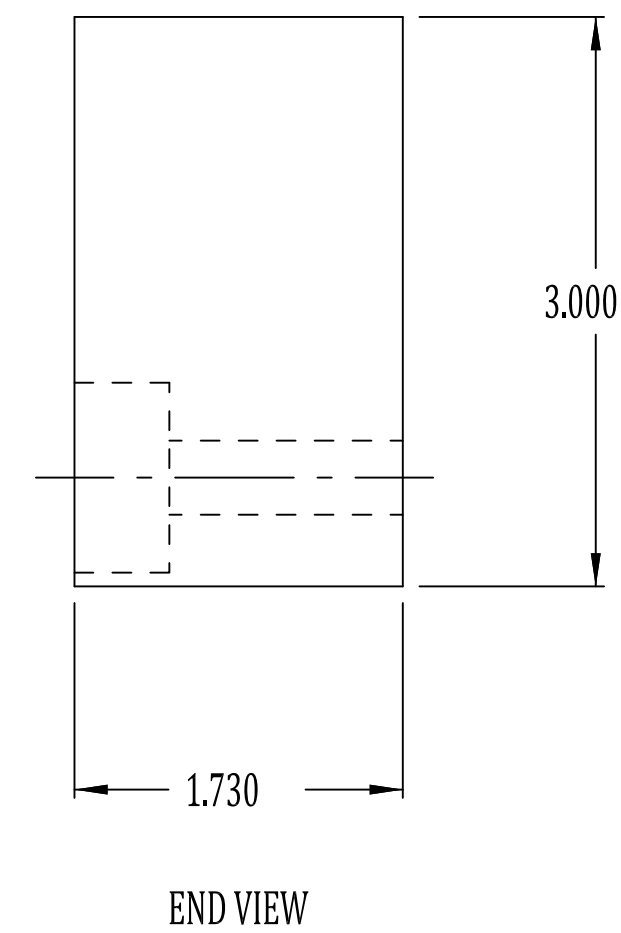
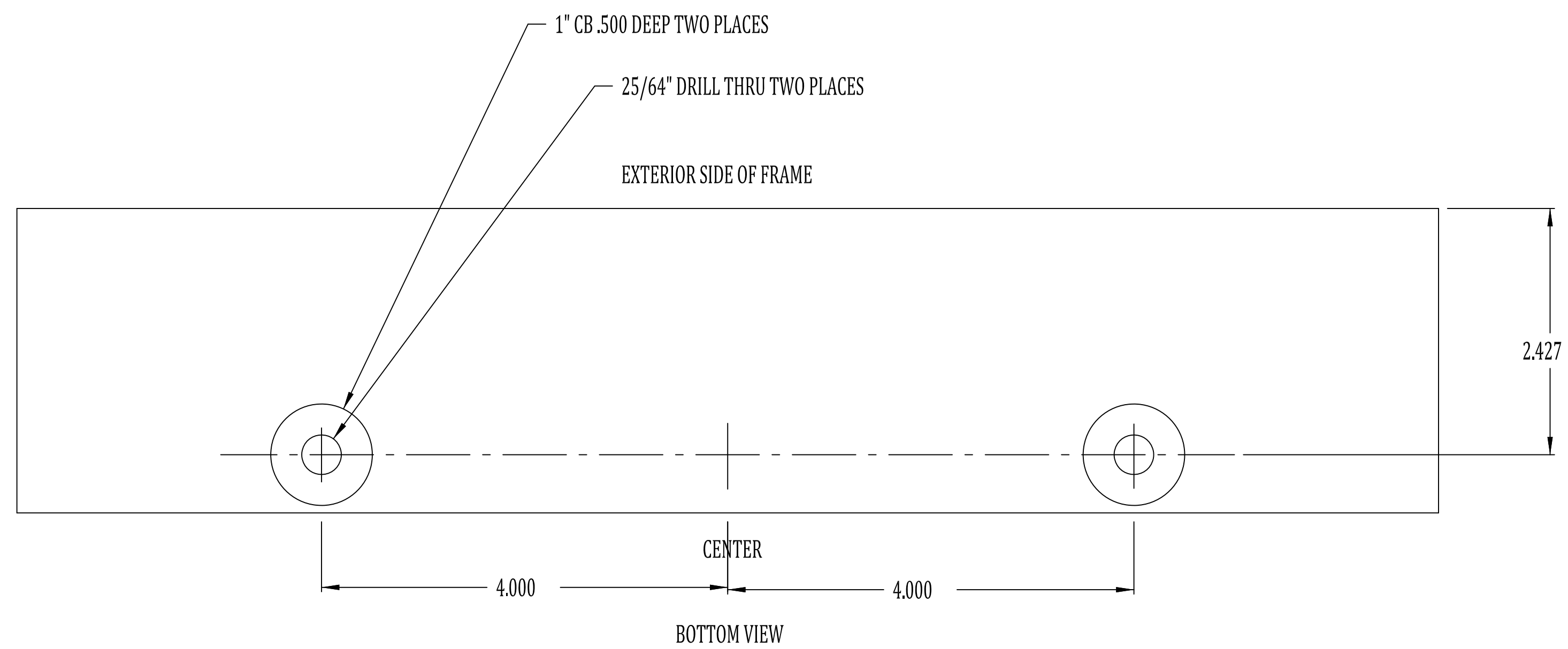
Gary Hartman, PE  
 FL PE License 73227  
 Architectural Testing, Inc.  
 130 Derry Ct.  
 York, PA 17406  
 FL COA 29274  
 717-764-7700  
 Project D9812.01-122-34

		SPECIAL-LITE, INC.	
		860 SOUTH WILLIAMS STREET P.O. BOX 6 DECATUR, MI 49045 WWW.SPECIAL-LITE.COM	
DRAWN BY: J. TRIPP		CUSTOMER: SPECIAL-LITE, INC.	
REVISION		JOB NAME: HURRICANE TEST DOORS	
A	10-02-08	D	
B	07-22-14	E	
C		F	
DATE: JUNE 27, 2007		SHEET NO. 3 OF 5 FILE NO. P-67936	



Gary Hartman, PE  
 FL PE License 73227  
 Architectural Testing, Inc.  
 130 Derry Ct.  
 York, PA 17406  
 FL COA 29274  
 717-764-7700  
 Project D9812.01-122-34

		SPECIAL-LITE, INC. 860 SOUTH WILLIAMS STREET P.O. BOX 6 DECATUR, MI 49045 WWW.SPECIAL-LITE.COM	
		DRAWN BY: J. TRIPP CUSTOMER: SPECIAL-LITE, INC.	JOB NAME: HURRICANE TEST DOORS
REVISION A 10-02-08 D B 07-22-14 E C F	ENGINEER: ARCHITECTURAL TESTING, INC. DATE: JUNE 27, 2007	SHEET NO. 4 OF 5	FILE NO. P-67936



Gary Hartman, PE  
 FL PE License 73227  
 Architectural Testing, Inc.  
 130 Derry Ct.  
 York, PA 17406  
 FL COA 29274  
 717-764-7700  
 Project D9812.01-122-34

 <b>Special-Lite</b> <i>Doors with more life.</i>		SPECIAL-LITE, INC. 860 SOUTH WILLIAMS STREET P.O. BOX 6 DECATUR, MI 49045 WWW.SPECIAL-LITE.COM	
		DRAWN BY: J. TRIPP      CUSTOMER: SPECIAL-LITE, INC.	
REVISION		JOB NAME: HURRICANE TEST DOORS	
A 10-02-08      D		ENGINEER: ARCHITECTURAL TESTING, INC	
B 07-22-14      E		DATE: JUNE 27, 2007      SHEET NO. 5 OF 5      FILE NO. P-67936	
C		F	